

# SC-Kit C-Clamp Weight Kit

SKU: SC-KIT



## SKU: SC-Kit

Each SC-Kit contains:

- 2 each of our AC-004, AC-01, SC-25, SC-50, SC-75, SC-1, SC-150, SC-2, SC-3, SC-4, SC-5, SC-6, SC-7 and SC-8 C-Clamp Weights.
- **28 Pieces Total**
- 1 each of our 1/16", 1/8", 3/32" and 5/64" ball-driver L-wrenches
- 1 copy of our suggested installation guidelines.

SKU	Weight (Ounces)	Weight (Grams)	Throat Size	Set Screw Size	Allen Wrench
AC-004	0.04	1	3/16"	6-32 x 1/4"	1/16"
AC-01	0.1	3	5/16"	6-32 x 1/2"	1/16"
SC-25	0.25	7	5/16"	6-32 x 1/2"	1/16"
SC-50	0.5	14	5/16"	8-32 x 1/2"	5/64"
SC-75	0.75	21	5/16"	8-32 x 1/2"	5/64"
SC-1	1.0	28	7/16"	10-32 x 5/8"	3/32"
SC-150	1.5	42	7/16"	10-32 x 5/8"	3/32"
SC-2	2.0	56	5/8"	1/4-20 x 3/4"	1/8"
SC-3	3.0	84	5/8"	1/4-20 x 3/4"	1/8"
SC-4	4.0	112	5/8"	1/4-20 x 3/4"	1/8"
SC-5	5.0	140	3/4"	1/4-20 x 1"	1/8"
SC-6	6.0	168	3/4"	1/4-20 x 1"	1/8"
SC-7	7.0	196	3/4"	1/4-20 x 1"	1/8"
SC-8	8.0	224	3/4"	1/4-20 x 1"	1/8"

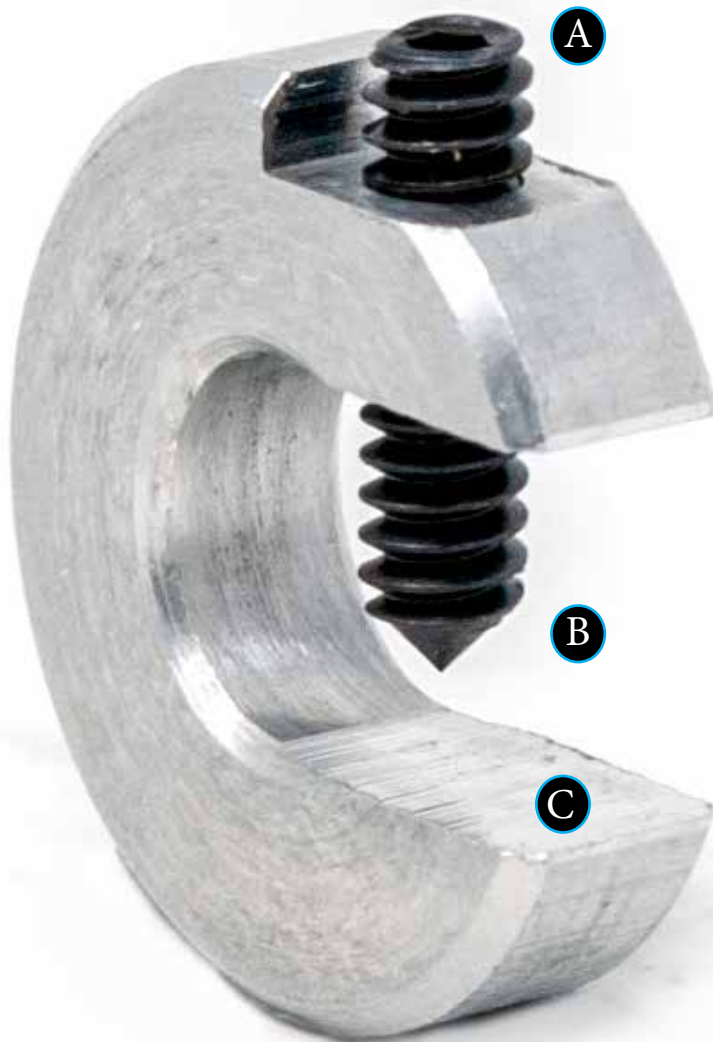


**INTERNATIONAL Inc.**  
BalancingWeights.com

Your Balancing Correction Weight Specialist!

# Standard Aluminium C-Clamp Weights

## Single Set Screw



### A HEX SOCKET:

6 pressure points for ease of driving and strip resistance.

### B CONE POINT:

Deep penetration ability, highest tor-sional and axial holding power.

### C SERRATED SURFACE:

Offers increased holding power.

The Aluminium Balancing C-Clamps are used as permanent correction weights on the leading edges of thicker blades that generally need more weight than a barbed clip can provide. The clamps have a serrated surface opposite the set screws for a tighter hold.

These are also available in the SC-KIT which contains 2 of each of all fourteen sizes of our c-clamps.

SKU	Weight (Ounces)	Weight (Grams)	Throat Size	Set Screw Size	Allen Wrench
AC-004	0.04	1	3/16"	6-32 x 1/4"	1/16"
AC-01	0.1	3	5/16"	6-32 x 1/2"	1/16"



**INTERNATIONAL Inc.**  
BalancingWeights.com

**Your Balancing Correction Weight Specialist!**

# Standard Steel C-Clamp Weights

## Single Set Screw



### A HEX SOCKET:

6 pressure points for ease of driving and strip resistance.

### B CONE POINT:

Deep penetration ability, highest tor-sional and axial holding power.

### C SERRATED SURFACE:

Offers increased holding power.

The Steel (12L14) Balancing C-Clamps are used as permanent correction weights on the leading edges of thicker blades that generally need more weight than a barbed clip can provide. The clamps have a serrated surface opposite the set screws for a tighter hold.

These are also available in the SC-KIT which contains 2 of each of all fourteen sizes of our c-clamps.

SKU	Weight (Ounces)	Weight (Grams)	Throat Size	Set Screw Size	Allen Wrench
SC-25	0.25	7	5/16"	6-32 x 1/2"	1/16"
SC-50	0.5	14	5/16"	8-32 x 1/2"	5/64"
SC-75	0.75	21	5/16"	8-32 x 1/2"	5/64"
SC-1	1.0	28	7/16"	10-32 x 5/8"	3/32"
SC-2	2.0	56	5/8"	1/4-20 x 3/4"	1/8"
SC-3	3.0	84	5/8"	1/4-20 x 3/4"	1/8"

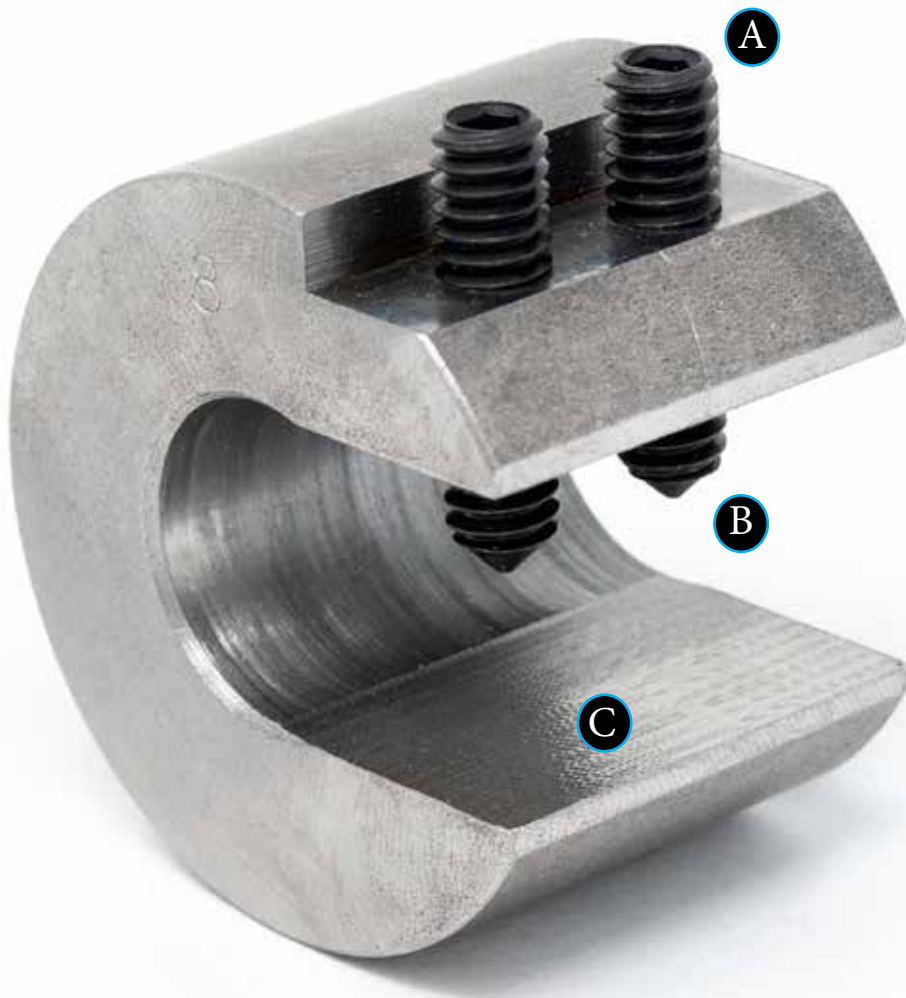


**INTERNATIONAL Inc.**  
BalancingWeights.com

**Your Balancing Correction Weight Specialist!**

# Standard Steel C-Clamp Weights

## Double Set Screw



### A HEX SOCKET:

6 pressure points for ease of driving and strip resistance.

### B CONE POINT:

Deep penetration ability, highest tor-sional and axial holding power.

### C SERRATED SURFACE:

Offers increased holding power.

The Steel (12L14 ) Balancing C-Clamps are used as permanent correction weights on the leading edges of thicker blades that generally need more weight than a barbed clip can provide. The clamps have a serrated surface opposite the set screws for a tighter hold.

These are also available in the SC-KIT which contains 2 of each of all fourteen sizes of our c-clamps.

SKU	Weight (Ounces)	Weight (Grams)	Throat Size	Set Screw Size	Allen Wrench
SC-150	1.5	42	7/16"	10-32 x 5/8"	3/32"
SC-4	4.0	112	5/8"	1/4-20 x 3/4"	1/8"
SC-5	5.0	140	3/4"	1/4-20 x 1"	1/8"
SC-6	6.0	168	3/4"	1/4-20 x 1"	1/8"
SC-7	7.0	196	3/4"	1/4-20 x 1"	1/8"
SC-8	8.0	224	3/4"	1/4-20 x 1"	1/8"

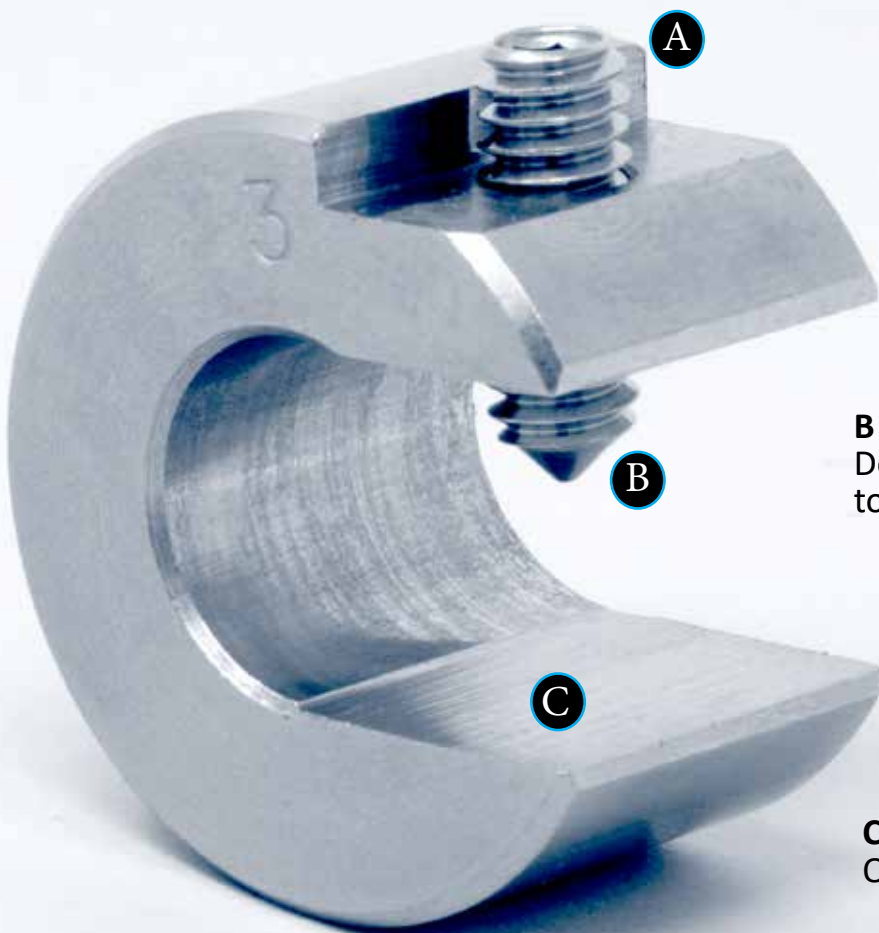


**INTERNATIONAL Inc.**  
BalancingWeights.com

**Your Balancing Correction Weight Specialist!**

# Stainless Steel C-Clamp Weights

## Single Set Screw



**A HEX SOCKET:**  
6 pressure points for ease of driving and strip resistance.

**B CONE POINT:**  
Deep penetration ability, highest tor-sional and axial holding power.

**C SERRATED SURFACE:**  
Offers increased holding power.

The Stainless Steel C-Clamps are made from 303 stainless steel and are used as permanent correction weights.

Some customers prefer stainless steel for pharmaceutical, chemical, and food applications as well as high corrosion environments.

These are available in eleven weights ranging from .125 ounces up to 8.0 ounces.

SKU	Weight (Ounces)	Weight (Grams)	Throat Size	Set Screw Size	Allen Wrench
STSC-125	0.125	3.5	3/16"	6-32 x 1/4"	1/16"
STSC-25	0.25	7	5/16"	6-32 x 1/2"	1/16"
STSC-50	0.5	14	5/16"	8-32 x 1/2"	5/64"
STSC-75	0.75	21	5/16"	8-32 x 1/2"	5/64"
STSC-1	1.0	28	7/16"	10-32 x 5/8"	3/32"
STSC-2	2.0	56	5/8"	1/4-20 x 3/4"	1/8"

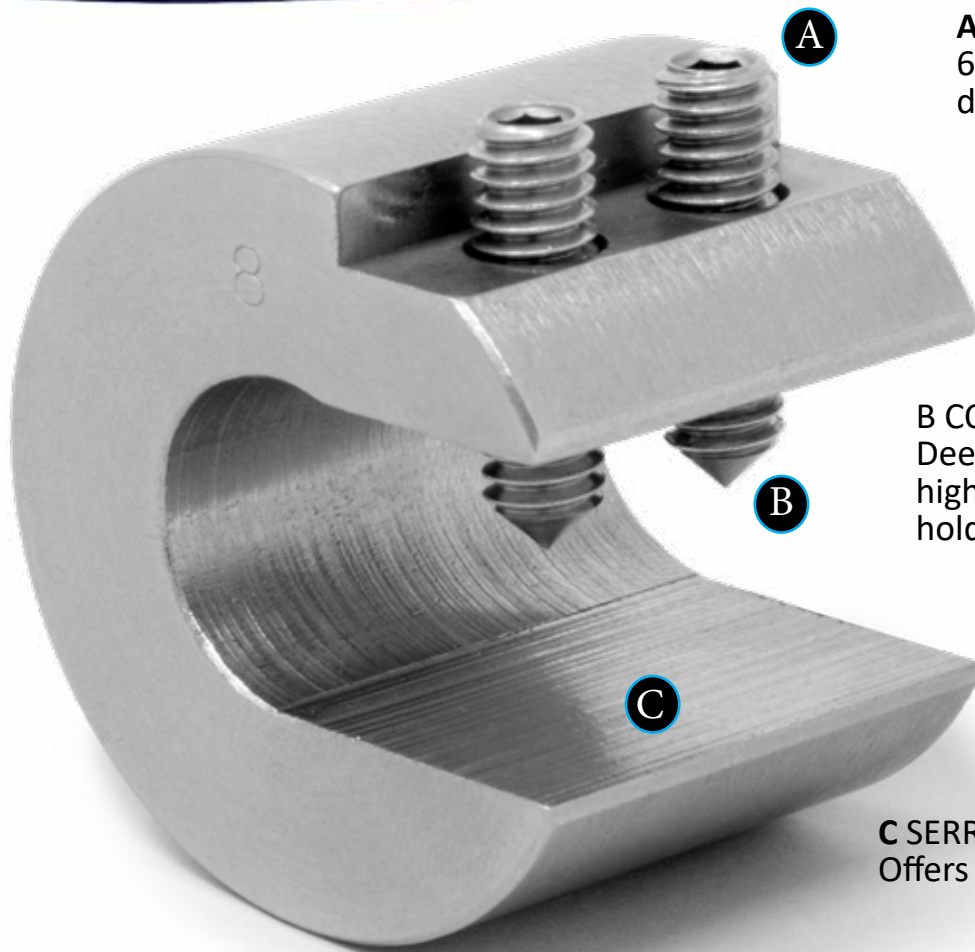


**INTERNATIONAL Inc.**  
BalancingWeights.com

**Your Balancing Correction Weight Specialist!**

# Stainless Steel C-Clamp Weights

## Double Set Screw



A

**A HEX SOCKET:**  
6 pressure points for ease of driving and strip resistance.

B

**B CONE POINT:**  
Deep penetration ability, highest tor-sional and axial holding power.

C

**C SERRATED SURFACE:**  
Offers increased holding power.

The Stainless Steel C-Clamps are made from 303 stainless steel and are used as permanent correction weights.

Some customers prefer stainless steel for pharmaceutical, chemical, and food applications as well as high corrosion environments.

These are available in eleven weights ranging from .125 ounces up to 8.0 ounces.

SKU	Weight (Ounces)	Weight (Grams)	Throat Size	Set Screw Size	Allen Wrench
STSC-150	1.5	42	7/16"	10-32 x 5/8"	3/32"
STSC-4	4.0	112	5/8"	1/4-20 x 3/4"	1/8"
STSC-5	5.0	140	3/4"	1/4-20 x 1"	1/8"
STSC-6	6.0	168	3/4"	1/4-20 x 1"	1/8"
STSC-8	8.0	224	3/4"	1/4-20 x 1"	1/8"

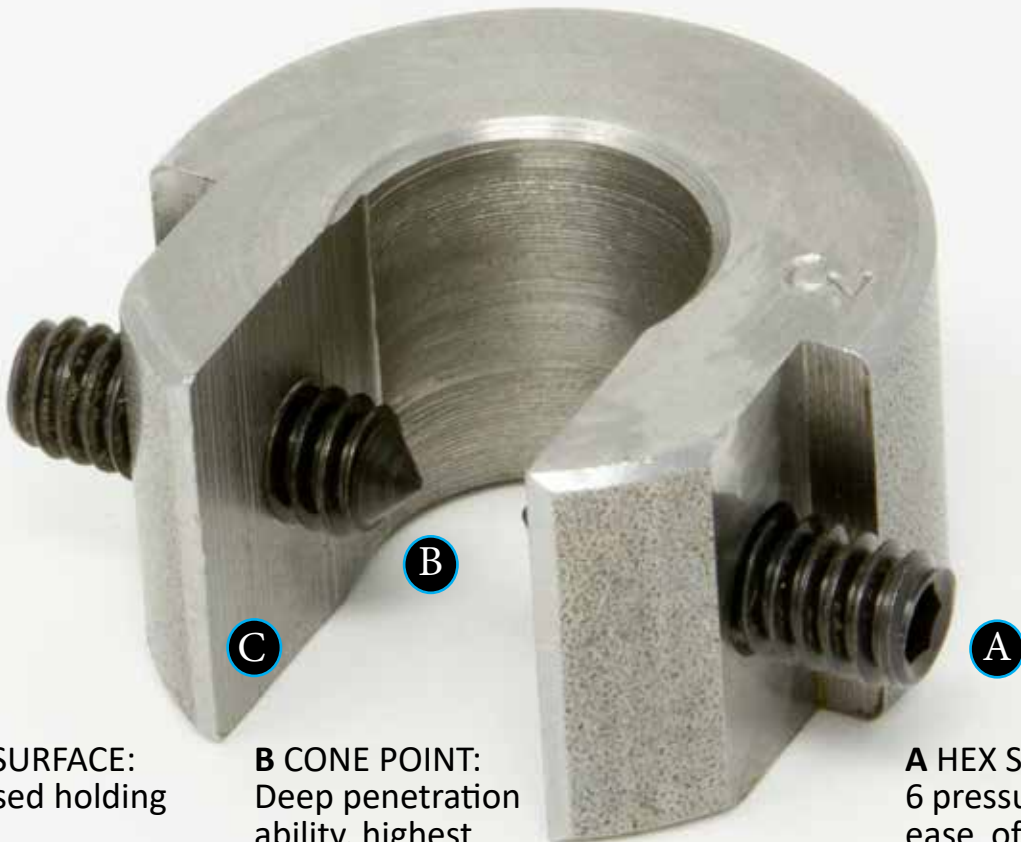


**INTERNATIONAL Inc.**  
BalancingWeights.com

**Your Balancing Correction Weight Specialist!**

# Double Sided Steel C-Clamp Weights

## Single Set Screw



**C SERRATED SURFACE:**  
Offers increased holding power.

**B CONE POINT:**  
Deep penetration ability, highest torsional and axial holding power.

**A HEX SOCKET:**  
6 pressure points for ease of driving and strip resistance.

These clamps have set screws on both sides making them ideal for use in environments where fan blades may be corroded or in situations which make securing a weight difficult.

SKU	Weight (Ounces)	Weight (Grams)	Throat Size	Set Screw Size	Allen Wrench
DSSC-2	2.0	56	5/8"	1/4-20 x 3/4"	1/8"
DSSC-3	3.0	84	5/8"	1/4-20 x 3/4"	1/8"

Available in seven weights ranging from 2.0 up to 8.0 ounces.

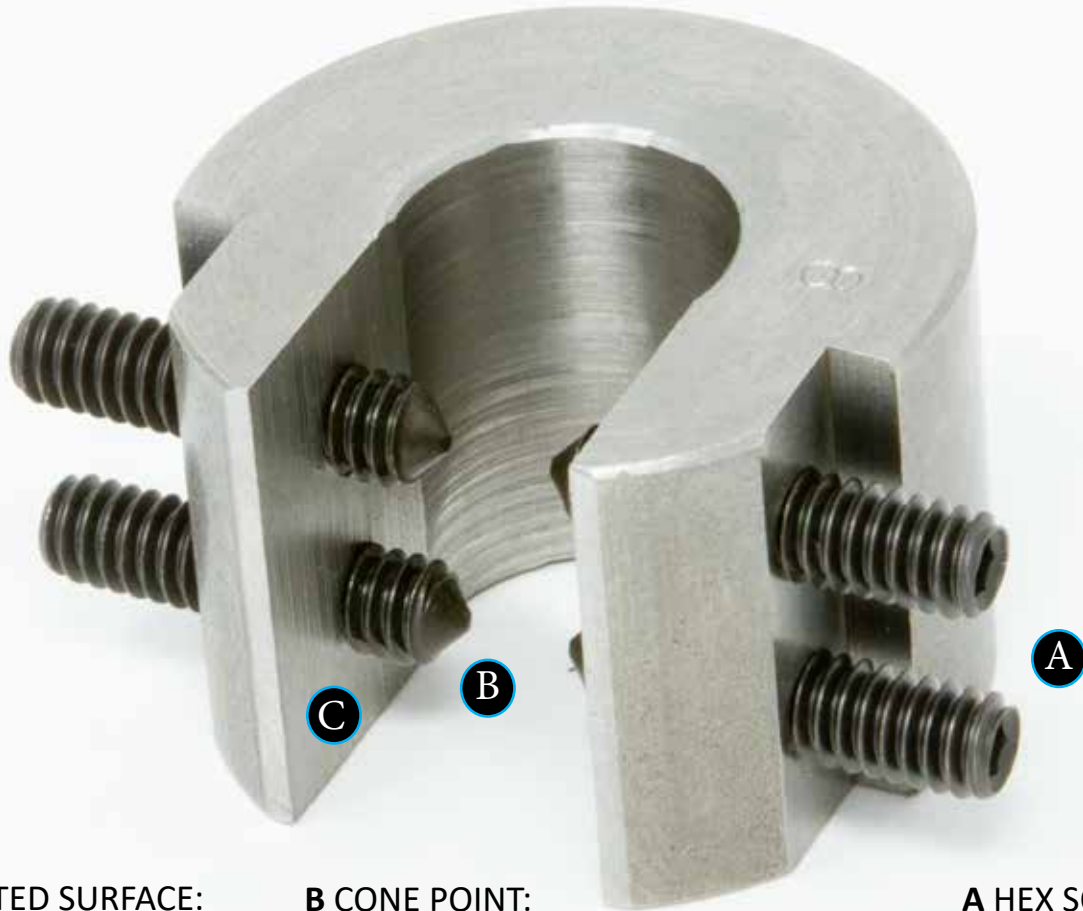


**INTERNATIONAL Inc.**  
BalancingWeights.com

**Your Balancing Correction Weight Specialist!**

# Double Sided Steel C-Clamp Weights

## Double Set Screw



**C SERRATED SURFACE:**  
Offers increased holding power.

**B CONE POINT:**  
Deep penetration ability, highest torsional and axial holding power.

**A HEX SOCKET:**  
6 pressure points for ease of driving and strip resistance.

These clamps have set screws on both sides making them ideal for use in environments where fan blades may be corroded or in situations which make securing a weight difficult.

Available in seven weights ranging from 2.0 up to 8.0 ounces.

SKU	Weight (Ounces)	Weight (Grams)	Throat Size	Set Screw Size	Allen Wrench
DSSC-4	4.0	112	5/8"	1/4-20 x 3/4"	1/8"
DSSC-5	5.0	140	3/4"	1/4-20 x 1"	1/8"
DSSC-6	6.0	168	3/4"	1/4-20 x 1"	1/8"
DSSC-7	7.0	196	3/4"	1/4-20 x 1"	1/8"
DSSC-8	8.0	224	3/4"	1/4-20 x 1"	1/8"



**INTERNATIONAL Inc.**  
BalancingWeights.com

**Your Balancing Correction Weight Specialist!**



# L-Wrenches

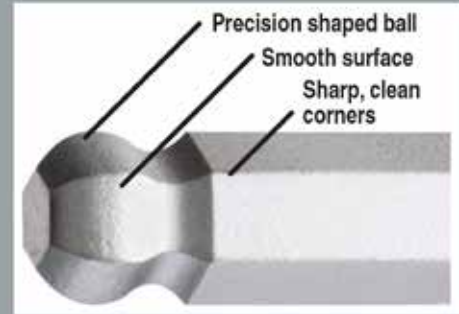


- Ball End inserts into screw at a 25° angle
- 25° angle allows natural hand and wrist movement
- Superior Ball End strength and working angle
- Ball End saves time by quickly funneling tool into screw

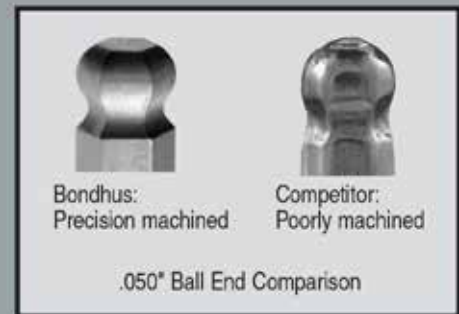


High Torque Steel:

Up to 20% stronger, with more torque and twice the wear resistance of standard grades of steel.



Bondhus Ball End tools feature unrivaled precision machining






Bondhus:  
Precision machined

Competitor:  
Poorly machined

.050" Ball End Comparison

All Bondhus Ball End tools feature a precise 25° working angle:

SKU			
HW-1/16	1/16"	3.0"	.53"
HW-1/8	1/8"	3.8"	.75"
HW-3/32	3/32"	3.4"	.65"
HW-5/64	5/64"	4.2"	.84"



25° working angle allows tool to work in hard to reach places (20° working angle on BallStar™ Tip tools)



**INTERNATIONAL Inc.**  
BalancingWeights.com

Your Balancing Correction Weight Specialist!